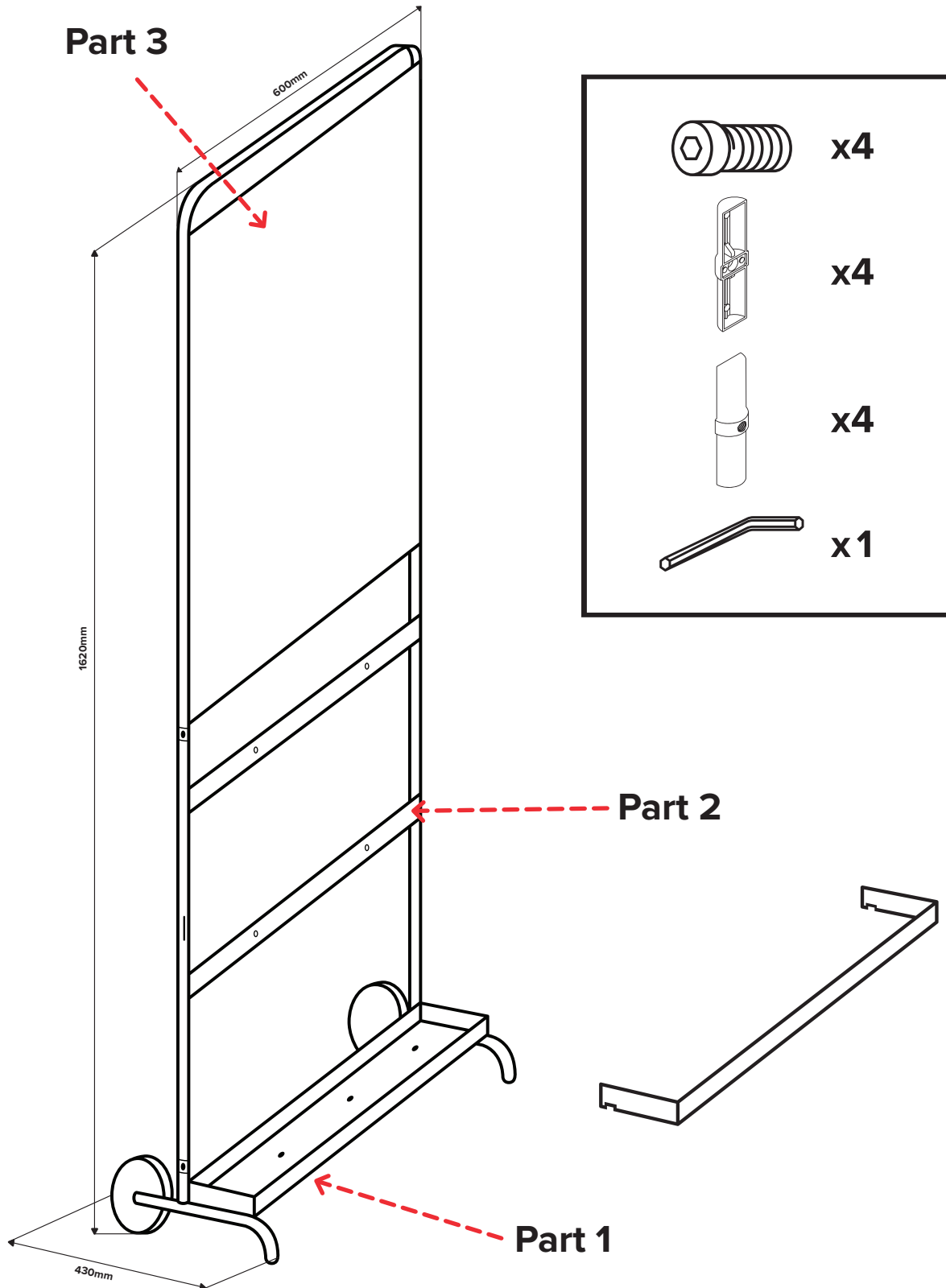
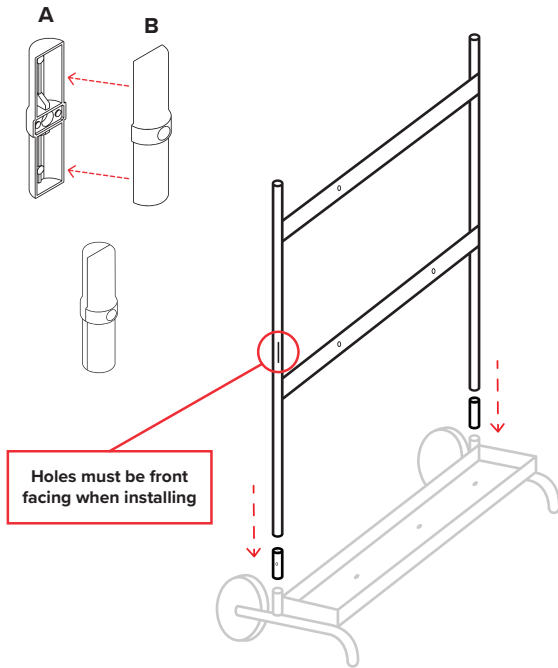


CON-STD-01

Assembly Guide

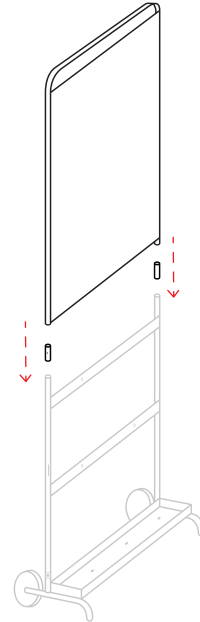


Assemble Lower Section



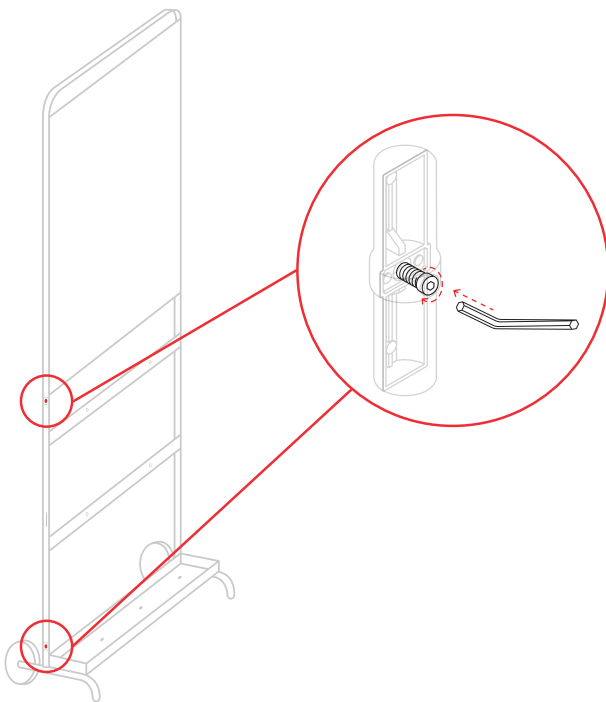
1. Take **Part A** and **Part B** (expanders) and together, place them into each side of part 1.
2. Place **Part 2** over the expanders onto **Part 1**.

Assemble Upper Section



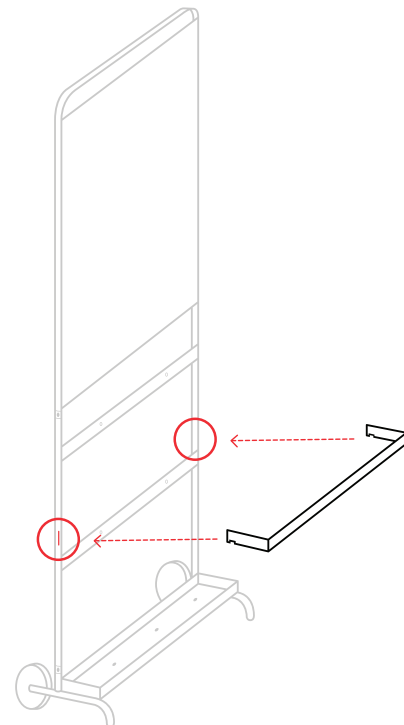
3. Take **Part A** and **Part B** and together, place them into each side of part 2.
4. Place **Part 3** over the expanders onto **Part 2**.

Secure Sections



5. Once all parts are in position, tighten all expanders (**A+B**) with an allen key to secure the complete frame.

Assemble Upper Section



6. Optional – hook the fire extinguisher protector frame into either side of **Part 1**.